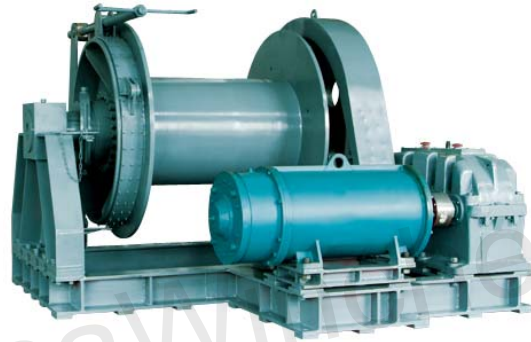
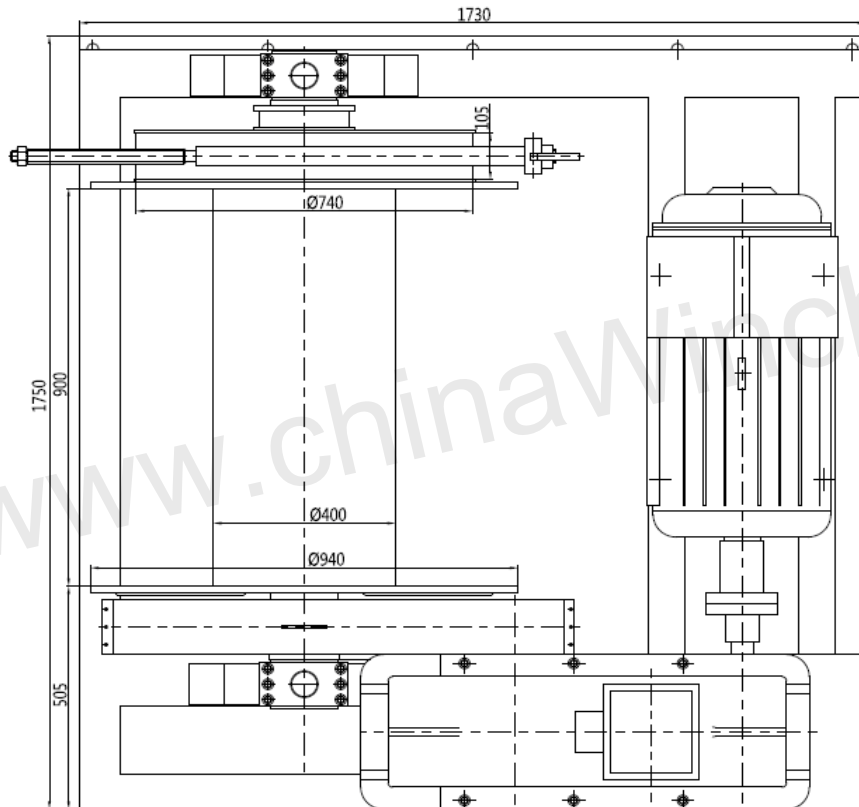
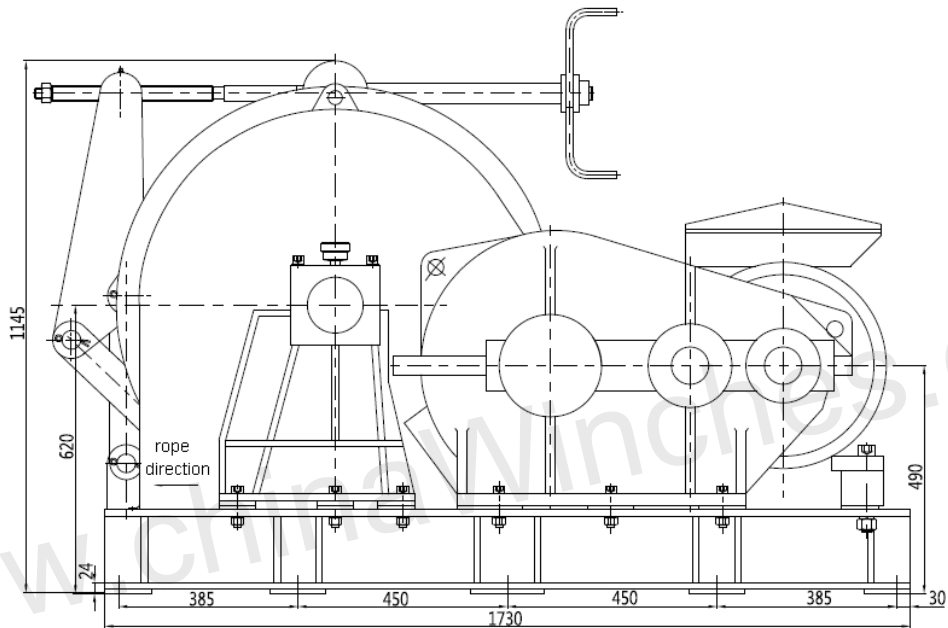




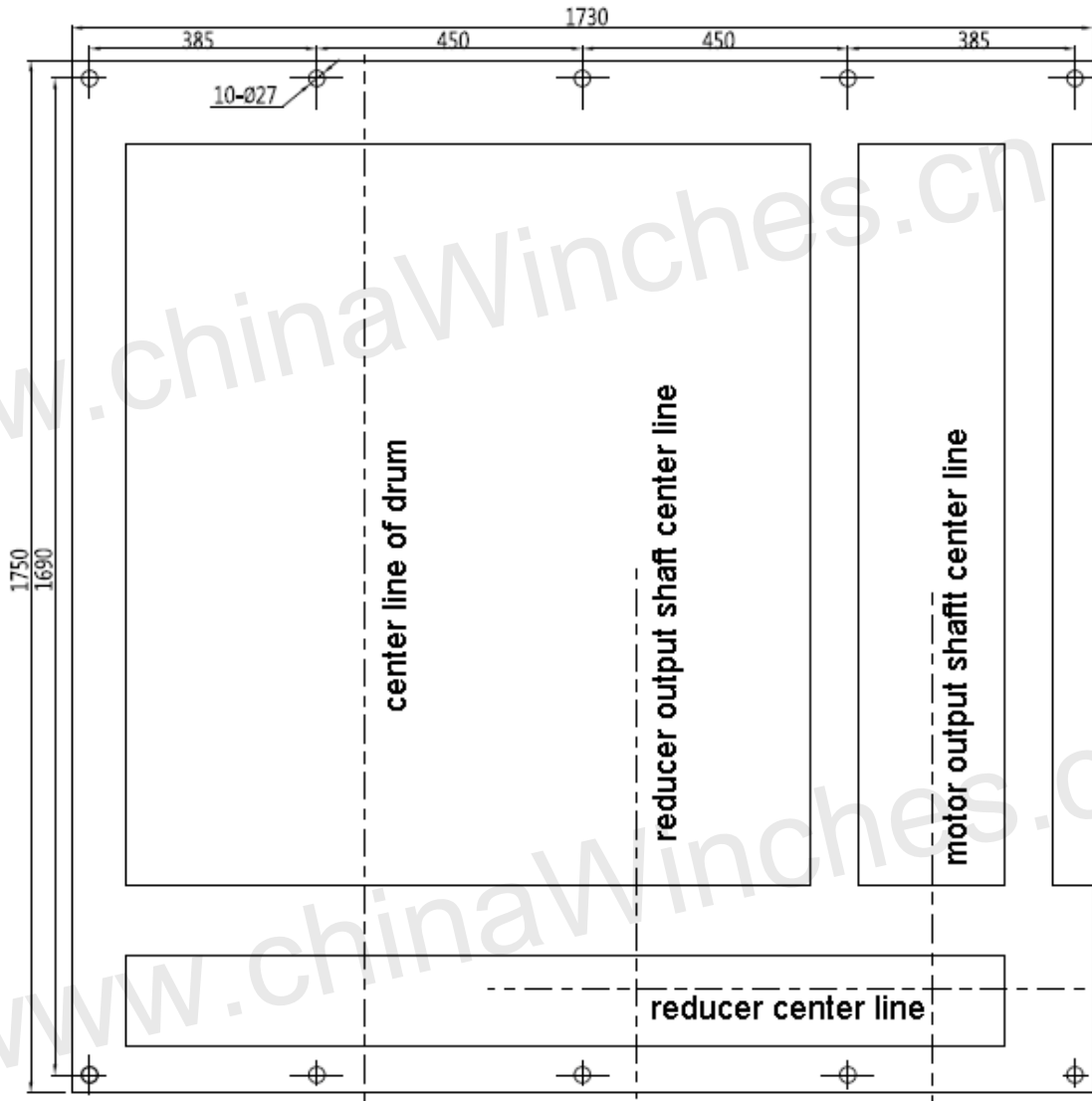
# XHDJ series Electric Winches: 4T- 40T



### XHDJ 50 series Dimension:



### XHDJ 50 series Bottom installation:

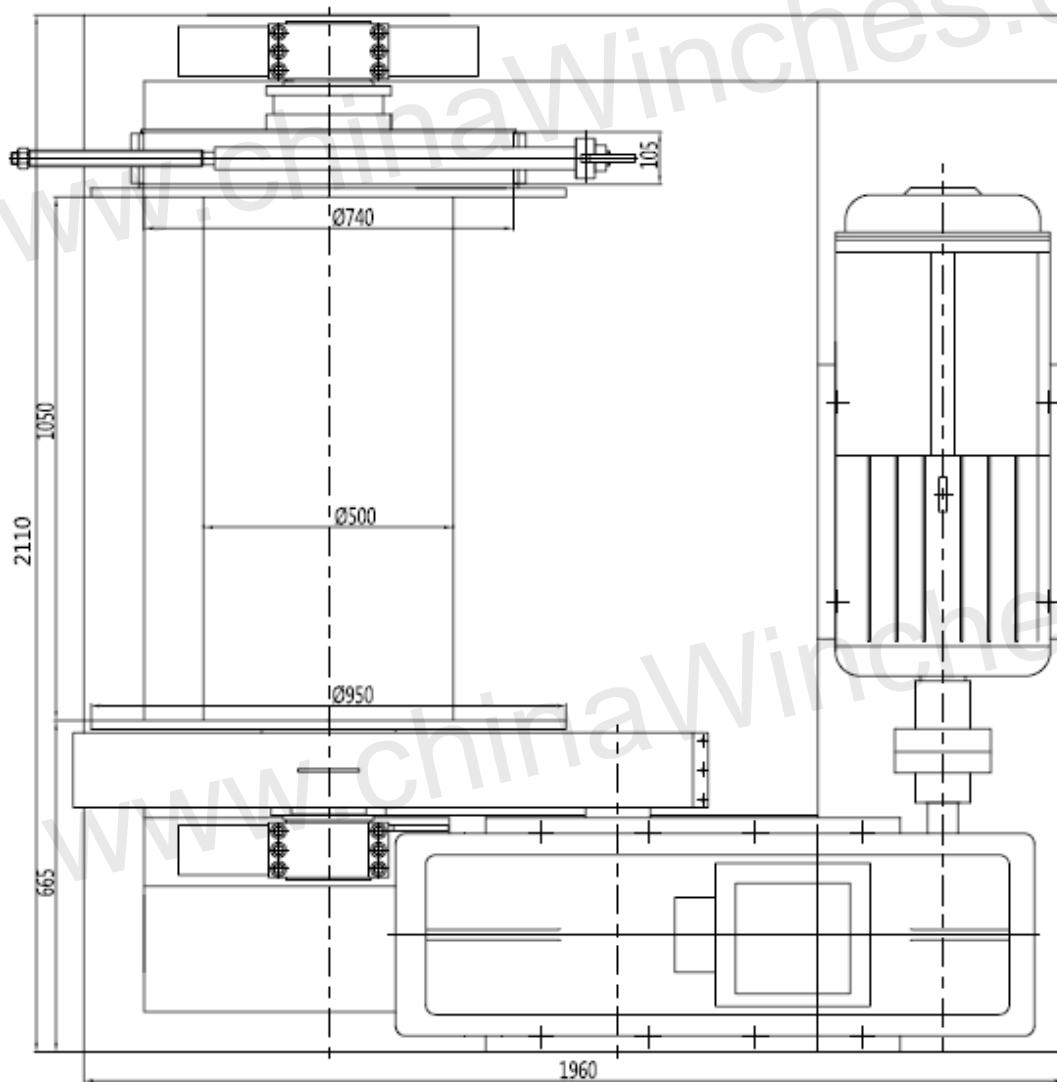
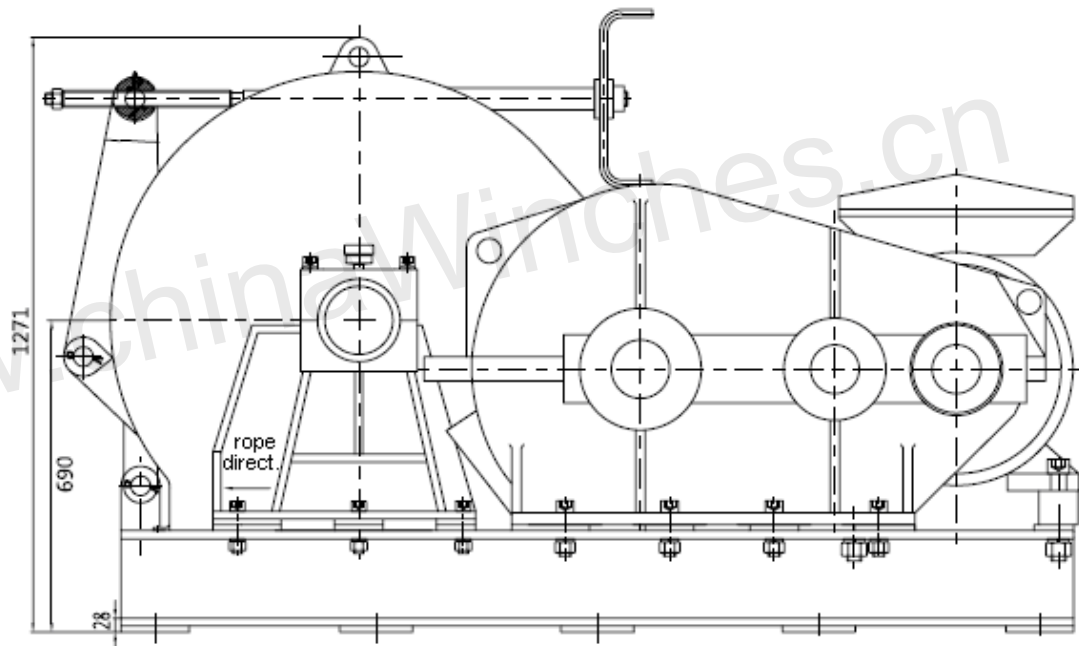


		Fast speed	Middle speed	Slow speed
		XHDJ 50 series parameters:	First layer pull force (KN)	40
First layer rope speed (m/min)	30		15	7.5
Power of electric motor (KW)	22/22/16			
Rotation speed of motor (rpm)	1400/670/300			
Wire rope diameter (mm)	26			
Number of layers of drum	5			
Wire rope capacity (M)	280			

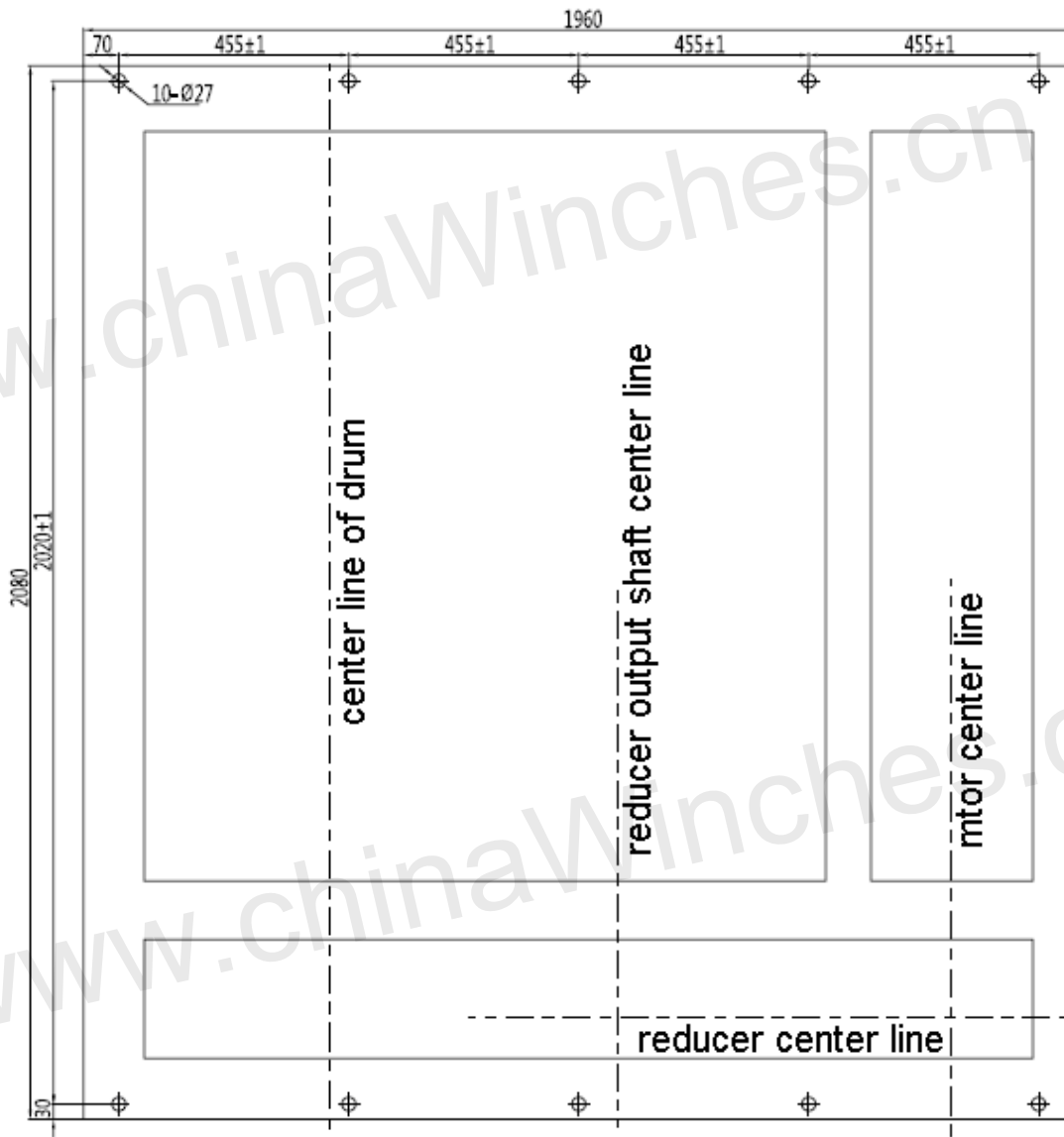
Note: Above mentioned based on 380 Voltage, 50 Hz, 3-phase, and the price not include wire rope and certificate, if any want please be informed.



XHDJ 100 series Dimension:



### XHDJ 100 series Bottom installation:

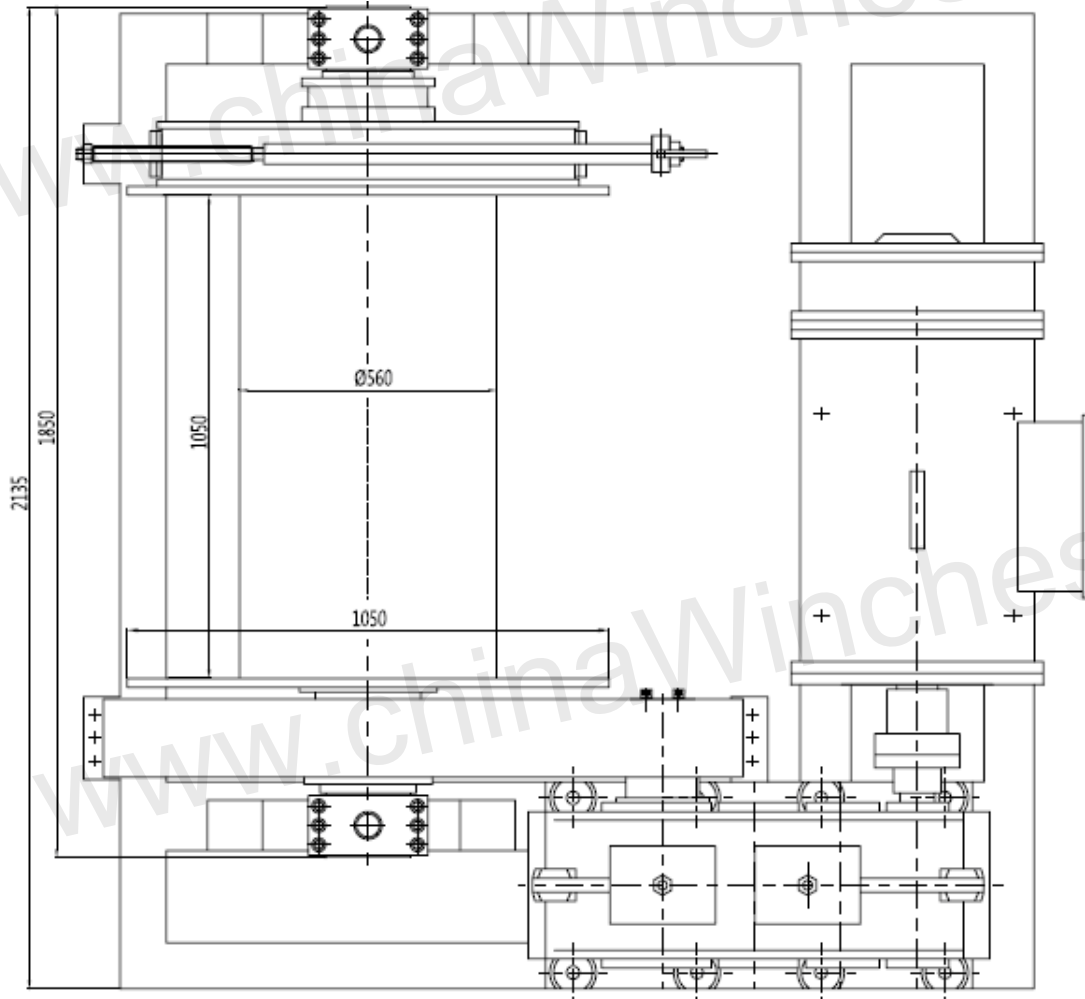
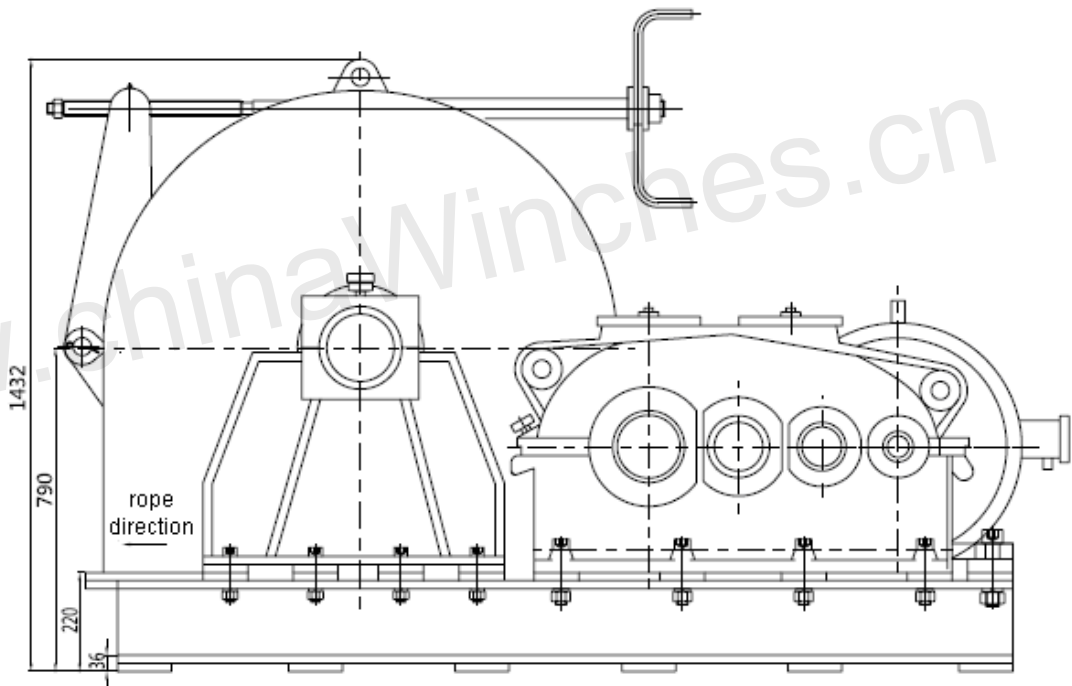


		Fast speed	Middle speed	Slow speed
XHDJ 100 series parameters:	First layer pull force (KN)	72	100	100
	First layer rope speed (m/min)	24	12	6
	Power of electric motor (KW)	30/30/20		
	Rotation speed of motor (rpm)	1400/670/300		
	Wire rope diameter (mm)	30		
	Number of layers of drum	5		
	Wire rope capacity (M)	300		

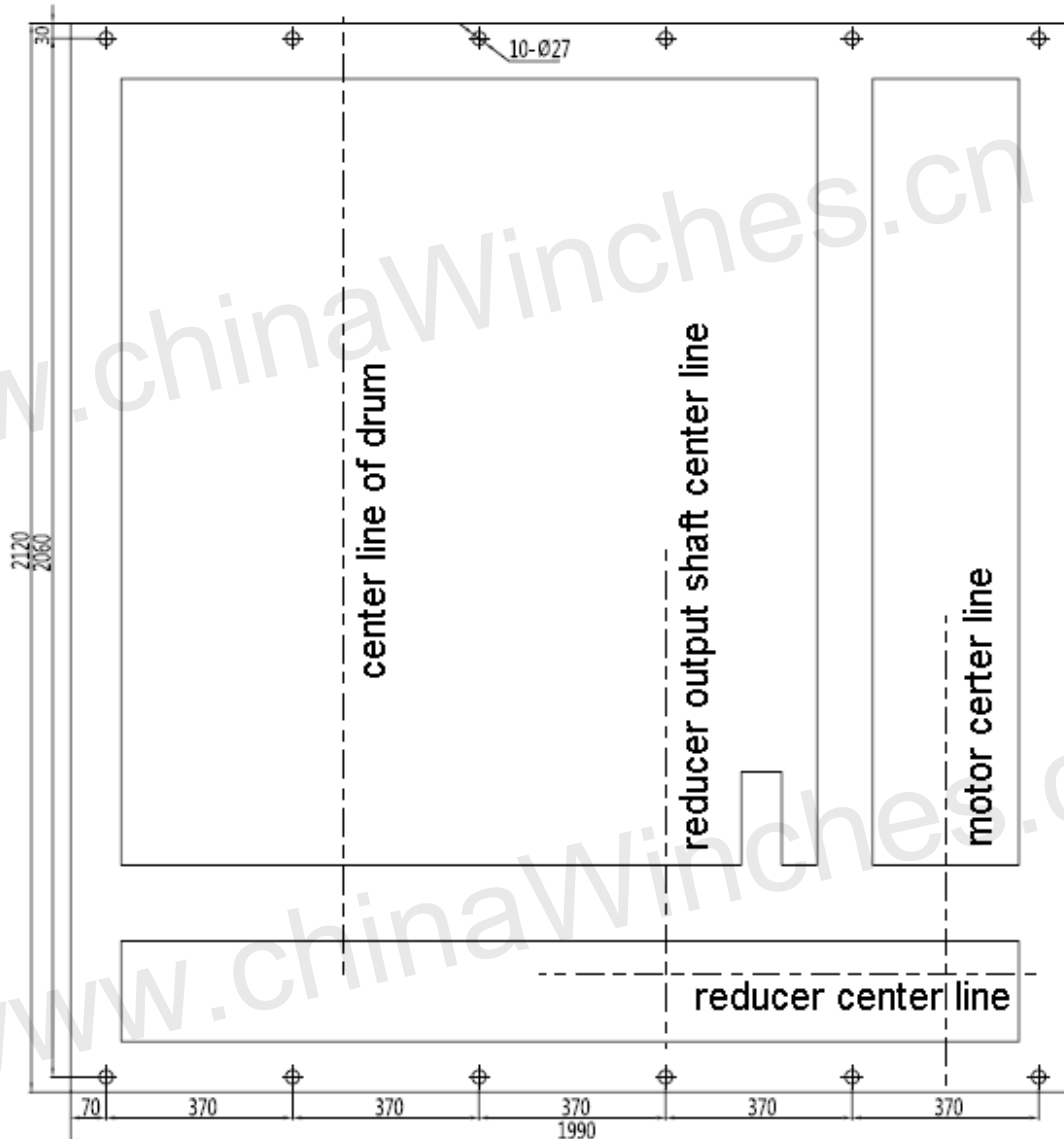
Note: Above mentioned based on 380 Voltage, 50 Hz, 3-phase, and the price not include wire rope and certificate, if any want please be informed.



### XHDJ 150 series Dimension:



XHDJ 150 series Bottom installation:

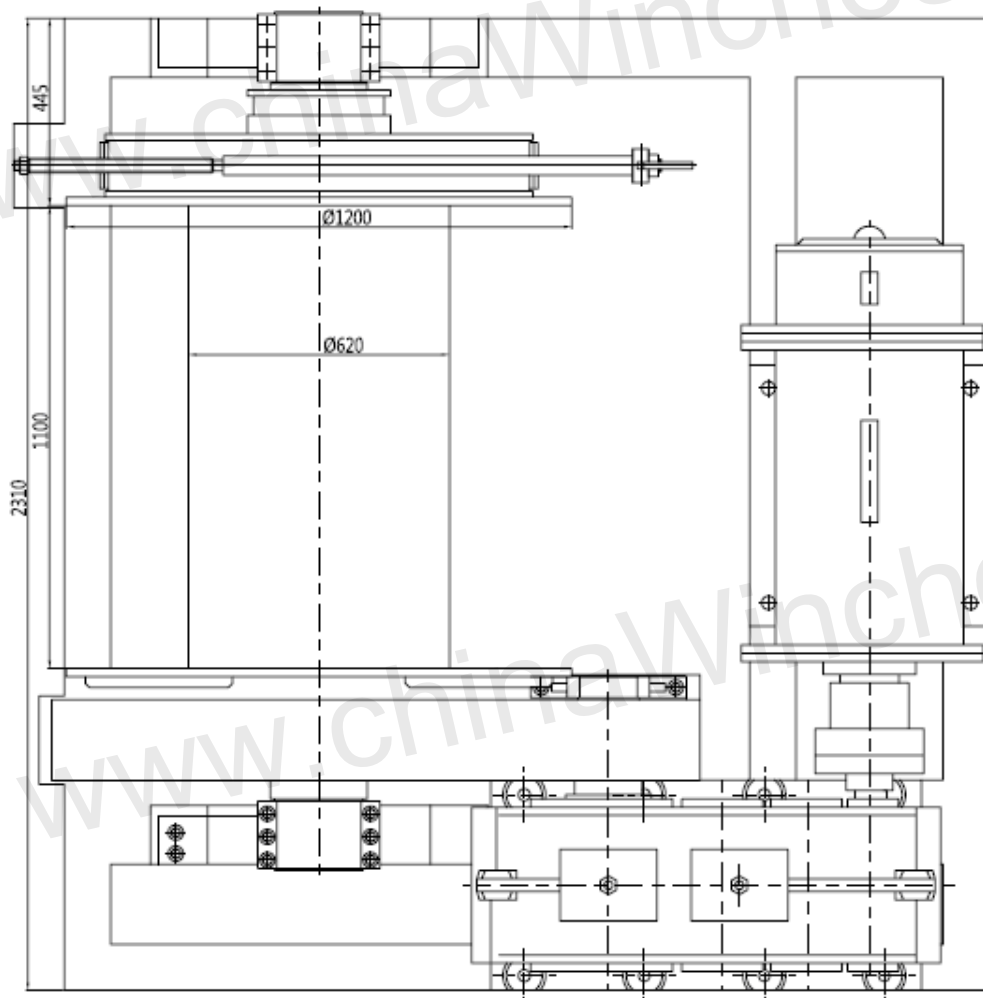
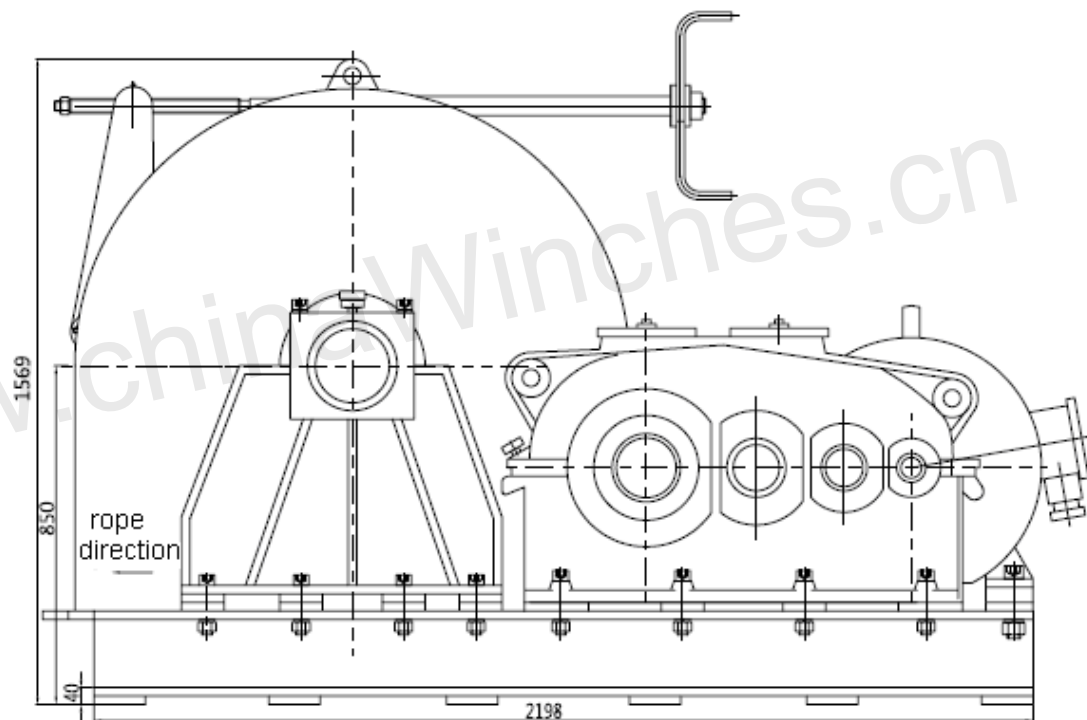


		Fast speed	Middle speed	Slow speed
XHDJ 150 series parameters:	First layer pull force (KN)	110	150	150
	First layer rope speed (m/min)	20	10	5
	Power of electric motor (KW)	30/30/22		
	Rotation speed of motor (rpm)	1400/670/300		
	Wire rope diameter (mm)	34		
	Number of layers of drum	5		
	Wire rope capacity (M)	330		

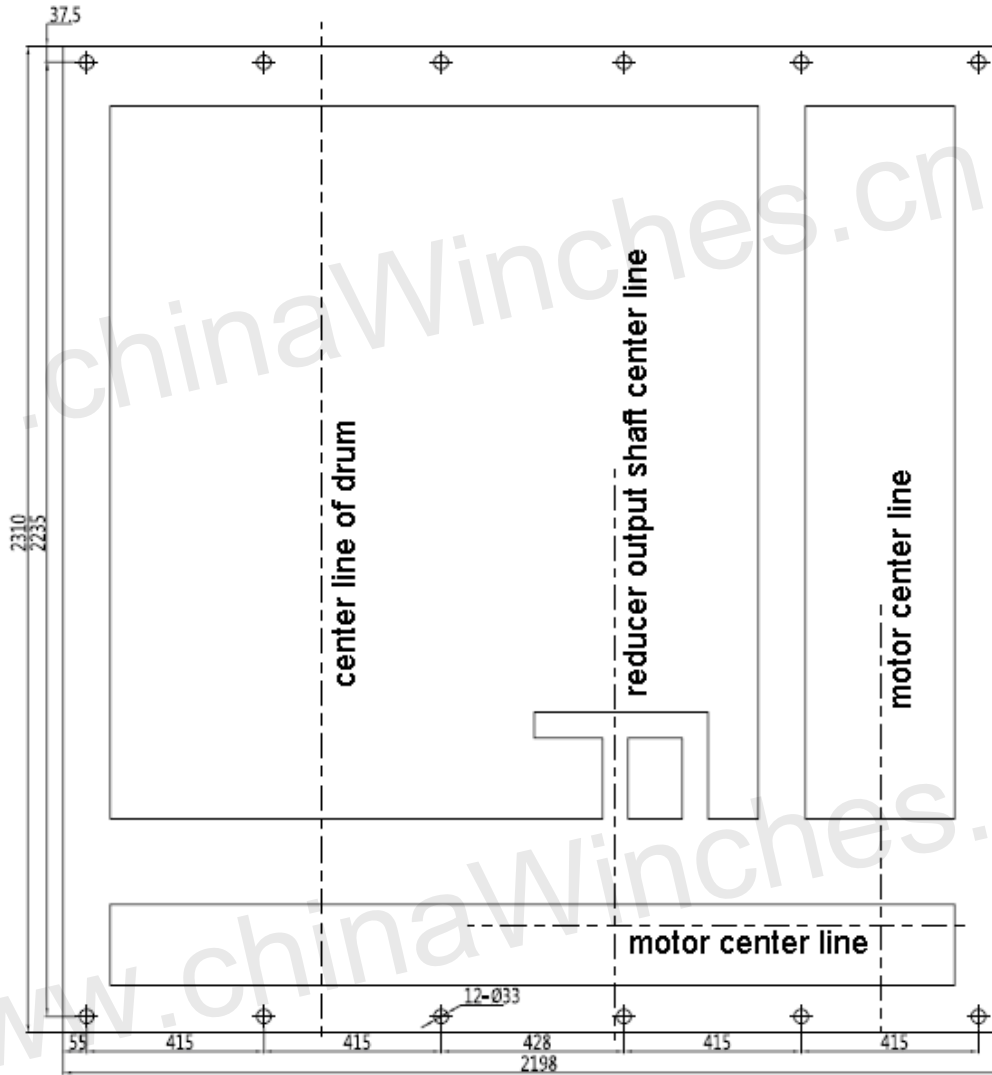
Note: Above mentioned based on 380 Voltage, 50 Hz, 3-phase, and the price not include wire rope and certificate, if any want please be informed.



### XHDJ 200 series Dimension:



### XHDJ 200 series Bottom installation:



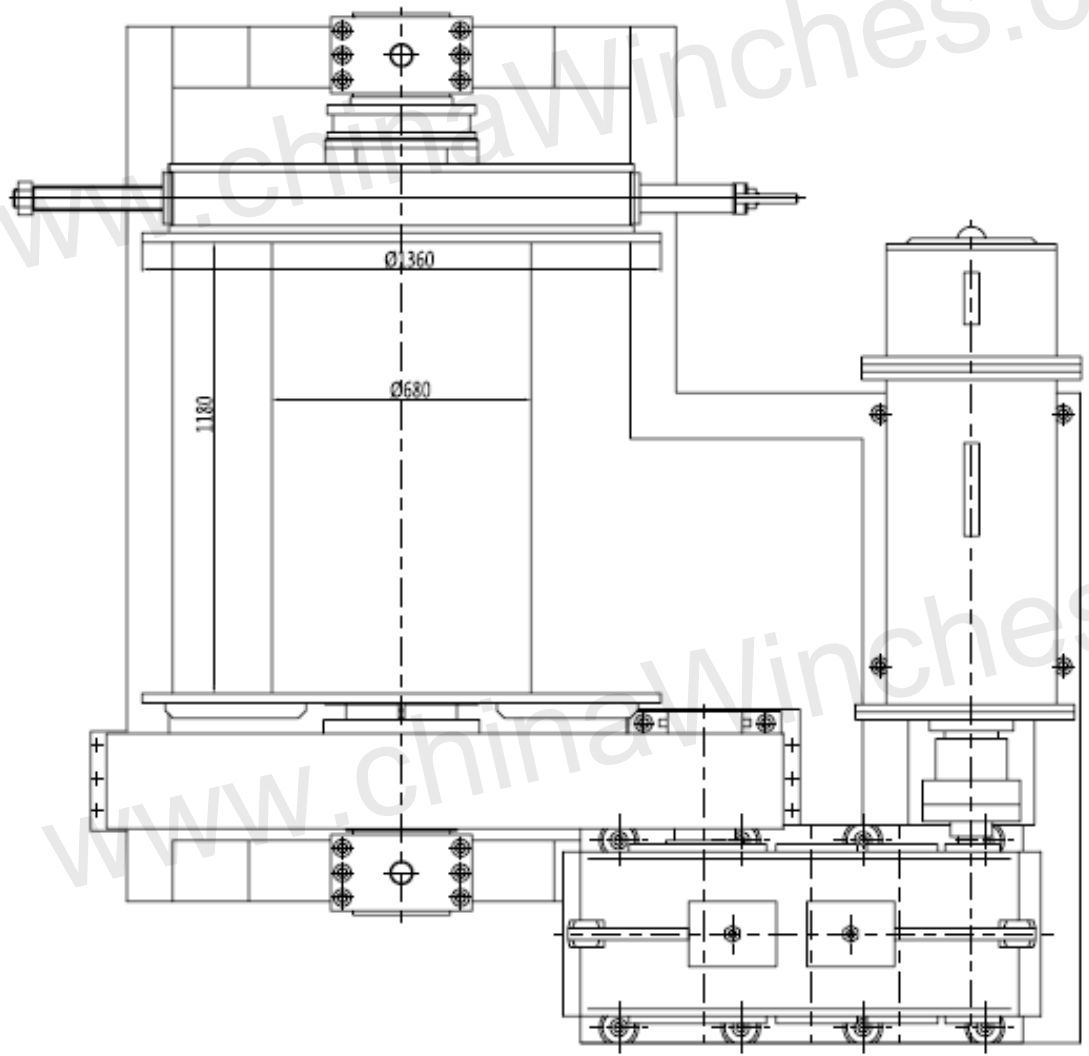
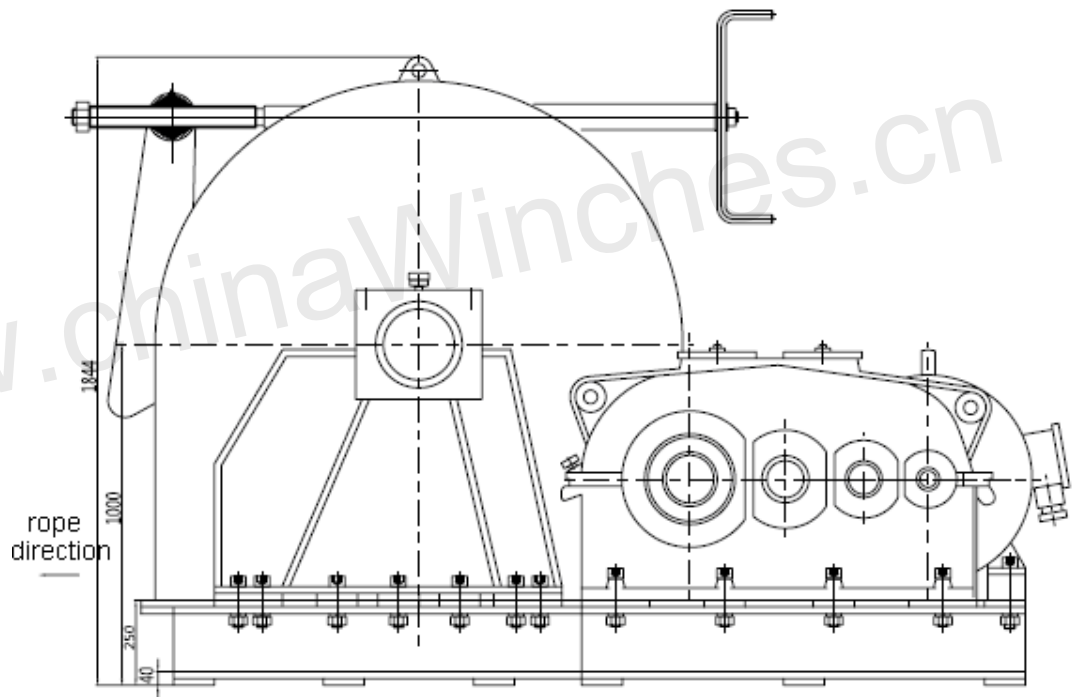
		Fast speed	Middle speed	Slow speed
XHDJ 200 series parameters:	First layer pull force (KN)	160	200	200
	First layer rope speed (m/min)	20	10	5
	Power of electric motor (KW)	45/45/30		
	Rotation speed of motor (rpm)	1420/680/320		
	Wire rope diameter (mm)	38		
	Number of layers of drum	5		
	Wire rope capacity (M)	350		

Note: Above mentioned based on 380 Voltage, 50 Hz, 3-phase, and the price not include wire rope and certificate, if any want please be informed.

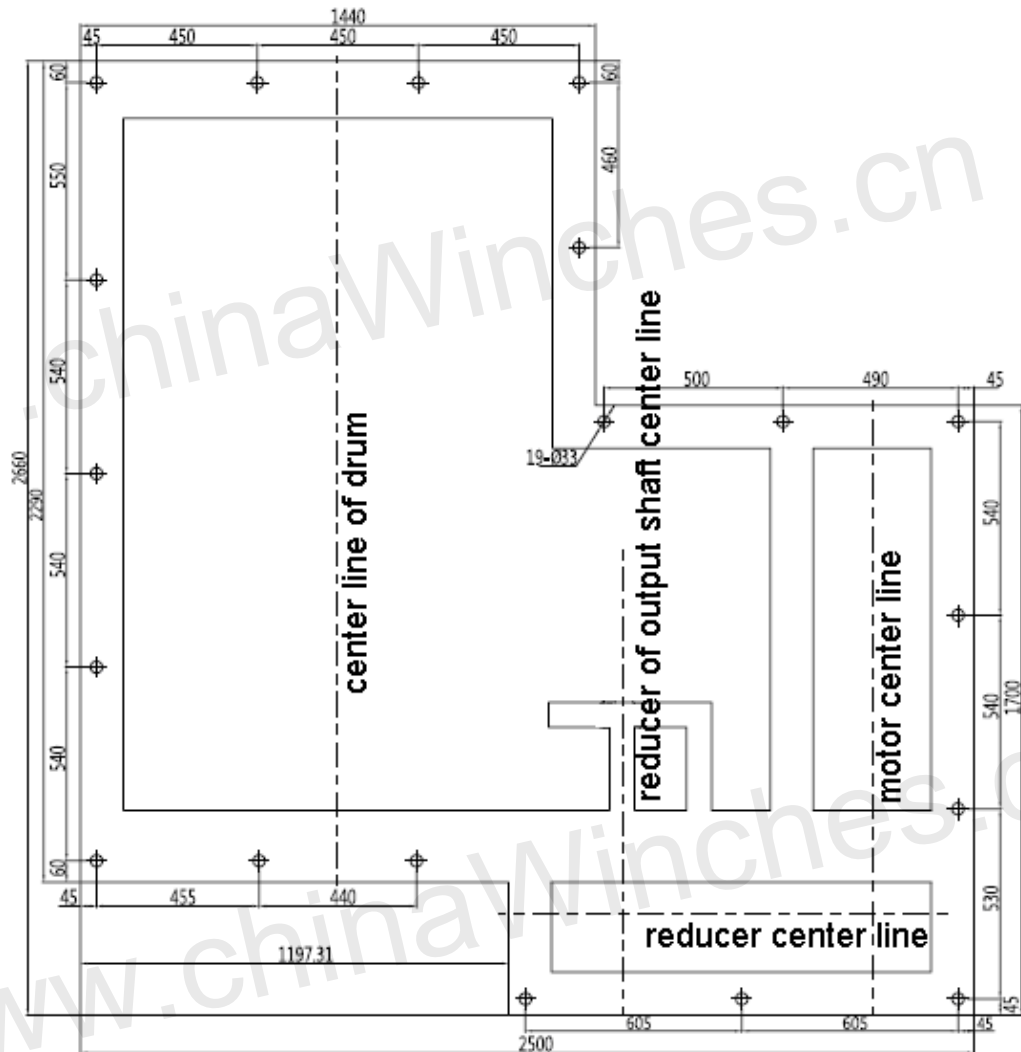




### XHDJ 300 series Dimension:



### XHDJ 300 series Bottom installation:

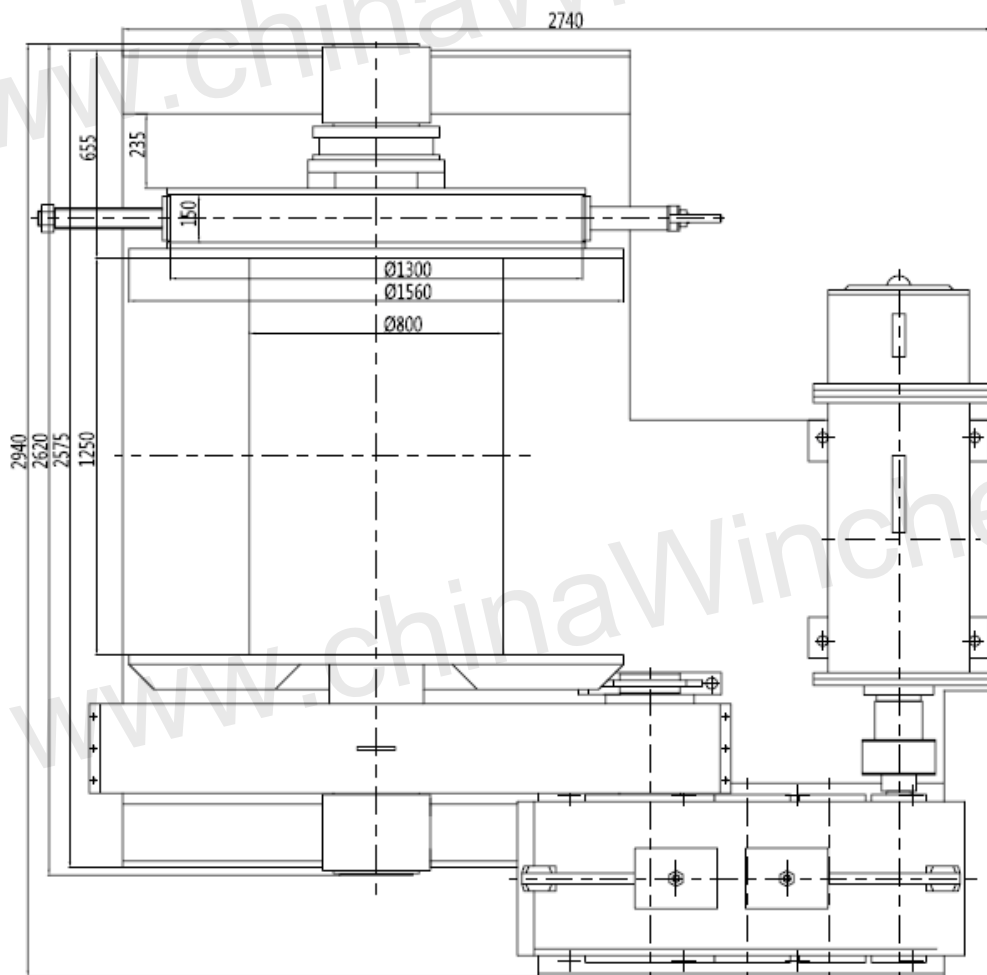
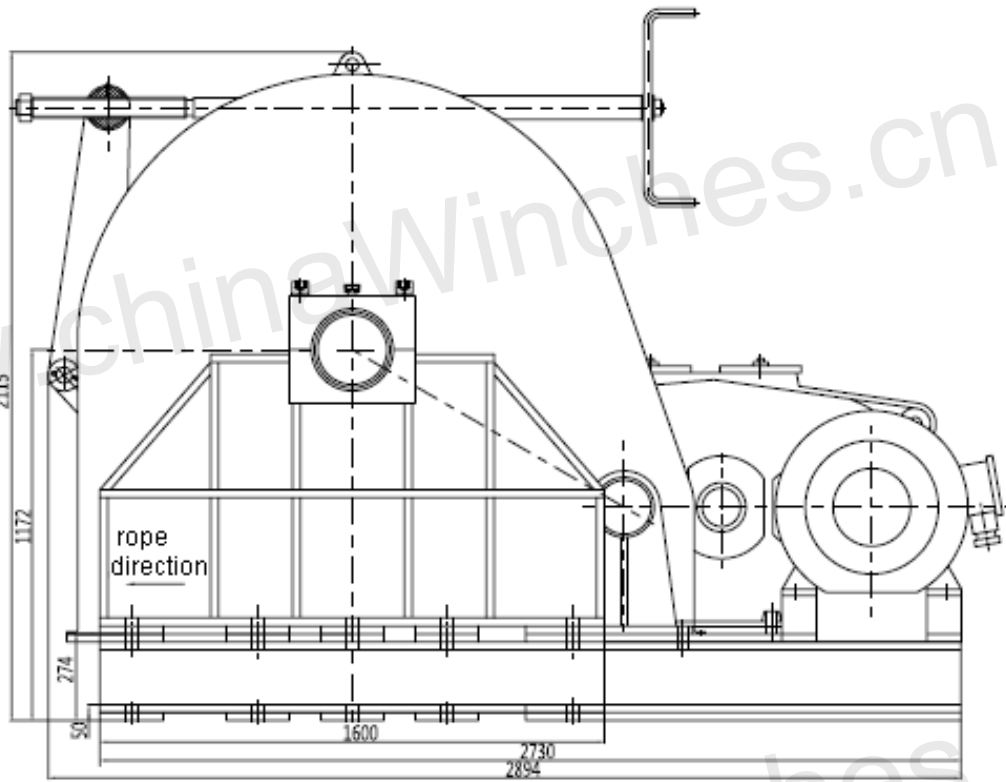


		Fast speed	Middle speed	Slow speed
XHDJ 300 series parameters:	First layer pull force (KN)	200	300	300
	First layer rope speed (m/min)	18	99	4.5
	Power of electric motor (KW)	60/60/45		
	Rotation speed of motor (rpm)	1420/720/330		
	Wire rope diameter (mm)	44		
	Number of layers of drum	5		
	Wire rope capacity (M)	360		

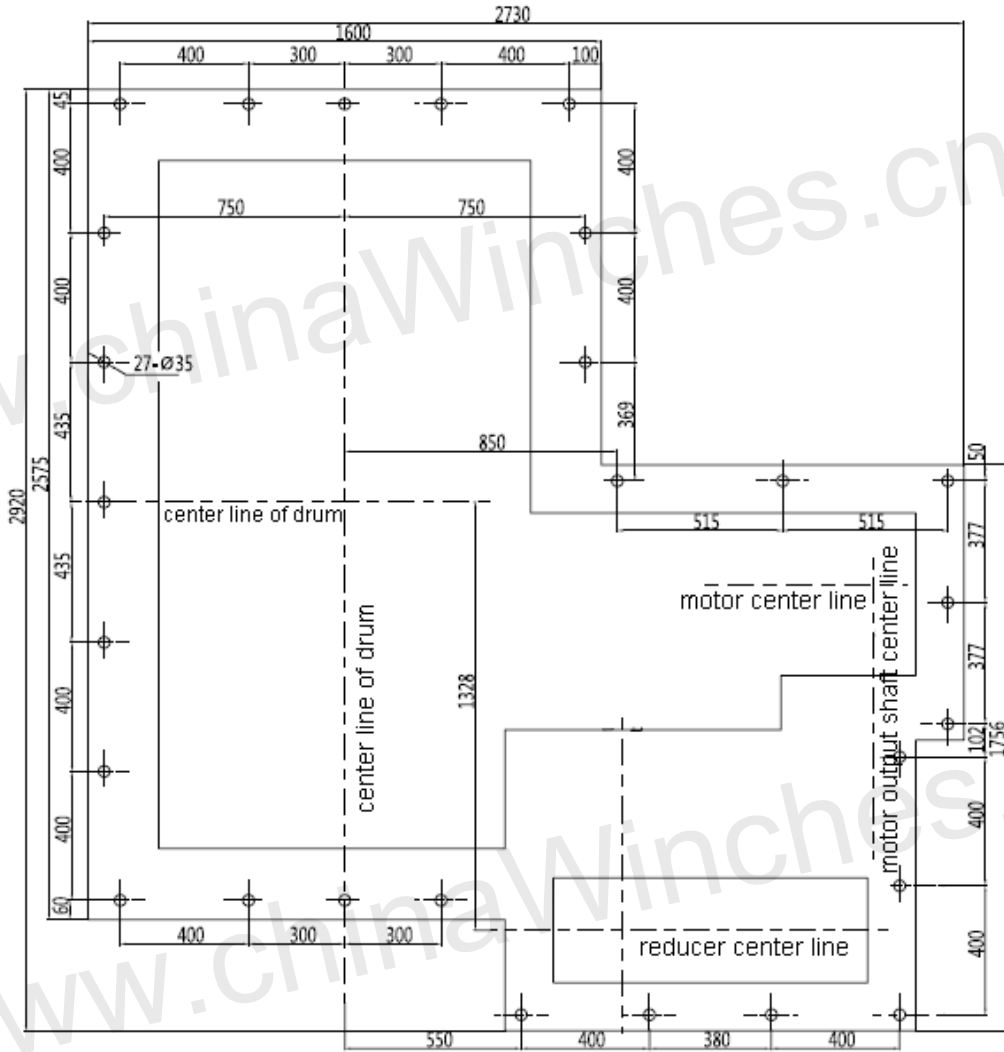
Note: Above mentioned based on 380 Voltage, 50 Hz, 3-phase, and the price not include wire rope and certificate, if any want please be informed.



XHDJ 400 series Dimension:



### XHDJ 400 series Bottom installation:



		Fast speed	Middle speed	Slow speed
		First layer pull force (KN)	300	400
First layer rope speed (m/min)		11.8	6	2.8
XHDJ 400 series parameters:	Power of electric motor (KW)	60/60/45		
	Rotation speed of motor (rpm)	1420/720/300		
	Wire rope diameter (mm)	52		
	Number of layers of drum	5		
	Wire rope capacity (M)	380		

Note: Above mentioned based on 380 Voltage, 50 Hz, 3-phase, and the price not include wire rope and certificate, if any want please be informed.